



Porthole XL Hanging Bag

2cm
Print
Check

Sewing instructions can be found in files-
Sew-ARCCG Hanging Porthole Bag Instructions
Instruction adjustments for XL

- Do not leave 5cm gap at top, this joey will be too heavy for a hanger.

Outer- Strong, medium to heavy duty.

Liner- Medium to heavy duty or polar fleece

To minimise printing Front and Back pattern are combined. Please check note on cutting before commencing. Pattern includes 1cm seam allowance for outer & 1.5 for liner.

Finished, unfolded fabric measures 82cm wide 92cm long.

Confident sewers may find it easier to cut from dimensions listed right instead of printing and taping pattern

Bag Front

Cut on fold

Cut out circle

Seam allowance included
1 Liner - Fleece or Flannelette
1 Outer - Fleece

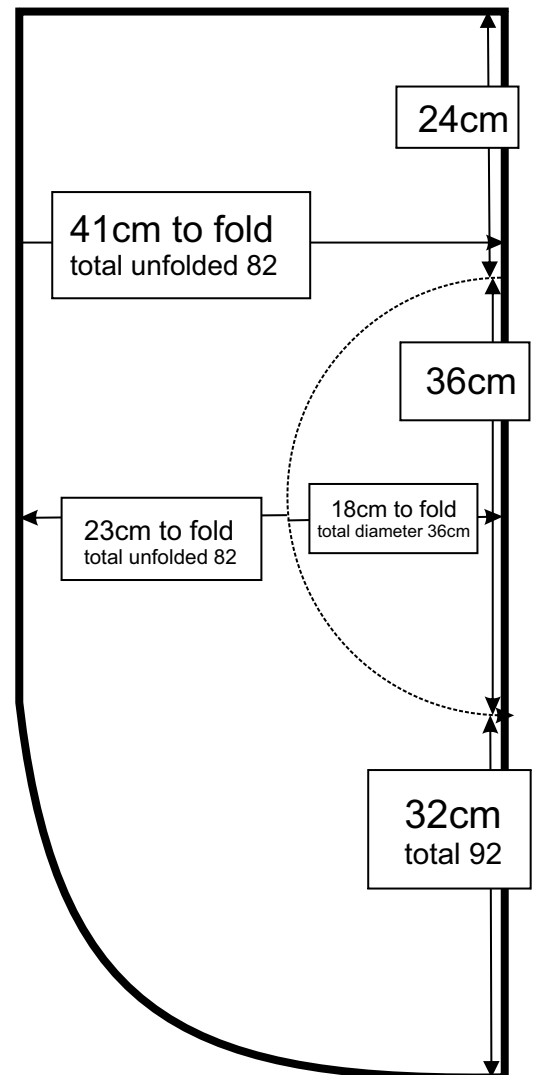
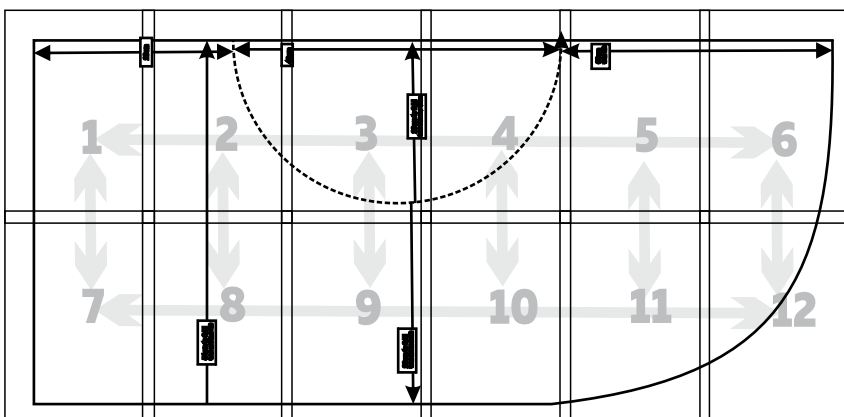
Bag Back

Cut on fold

DO NOT cut circle

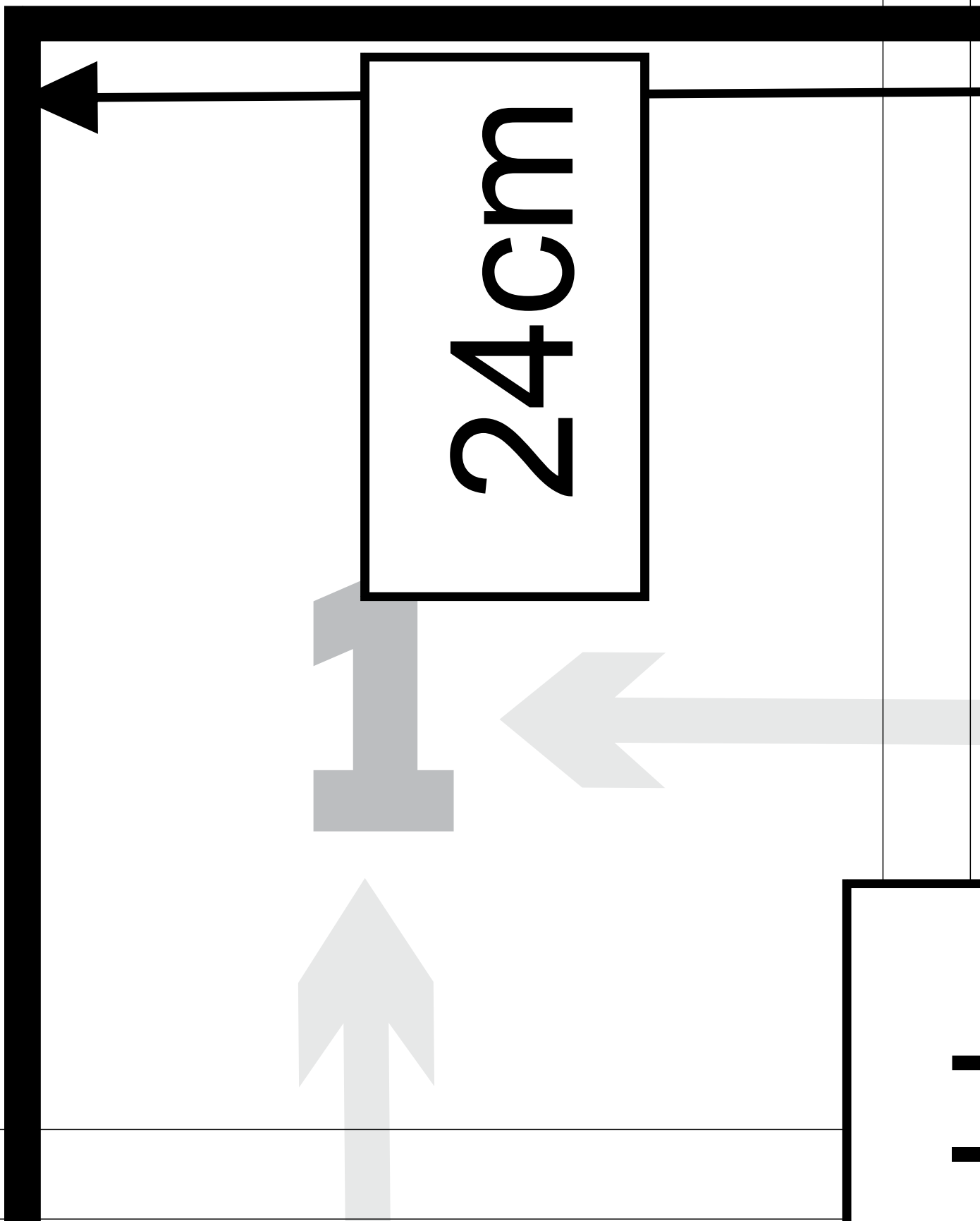
Seam allowance included
1 Liner - Fleece or Flannelette
1 Outer - Fleece

Pattern Layout



d

24cm

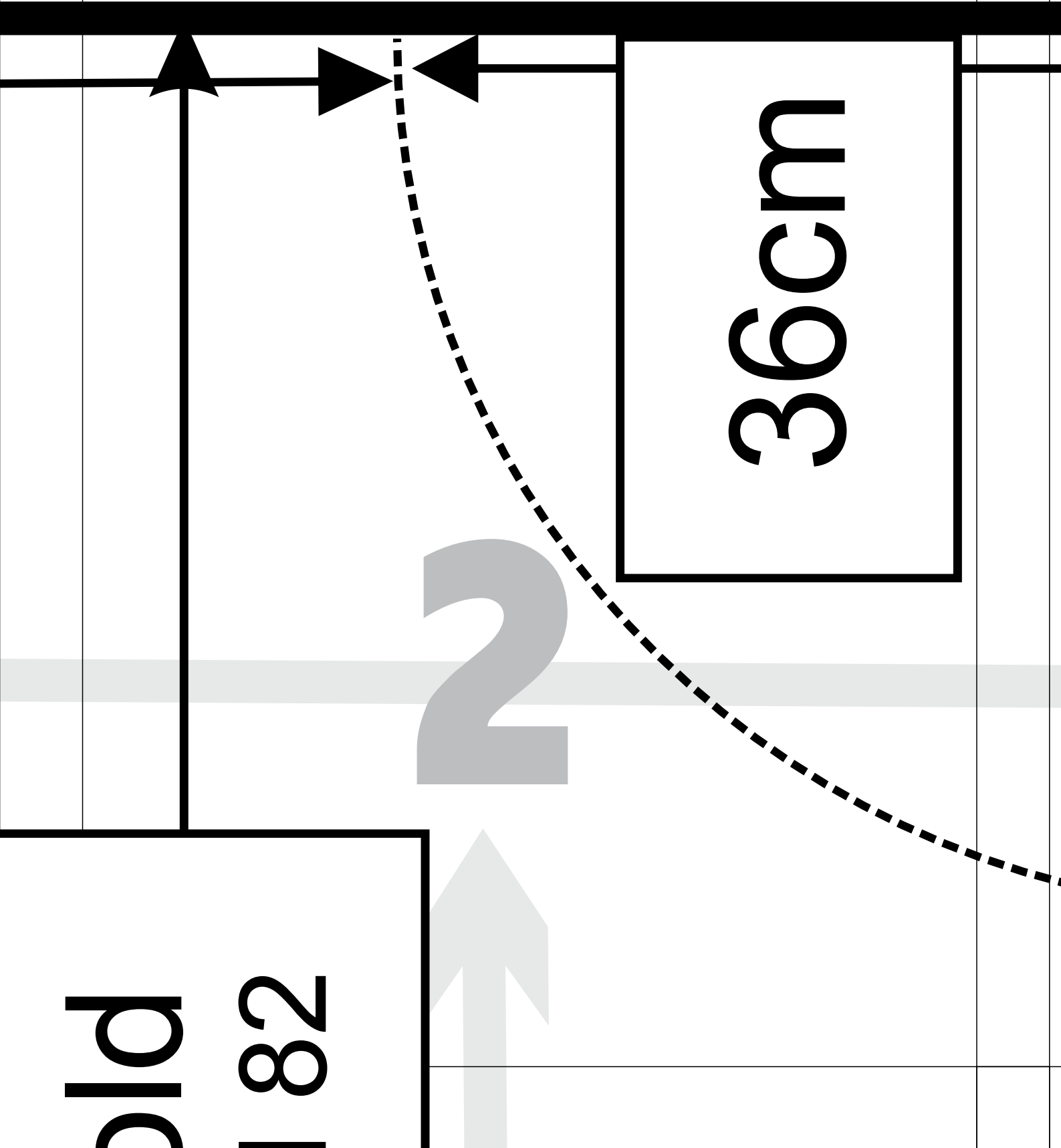


CUT ON FOLD

36cm

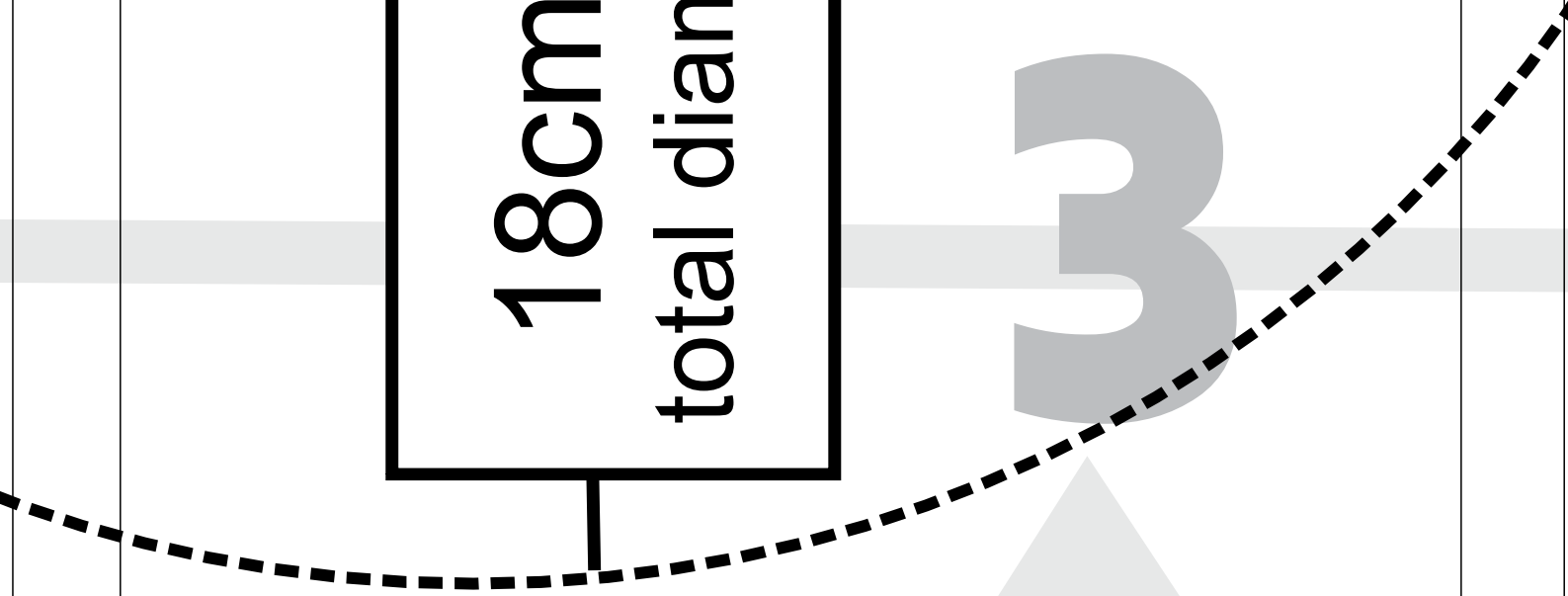
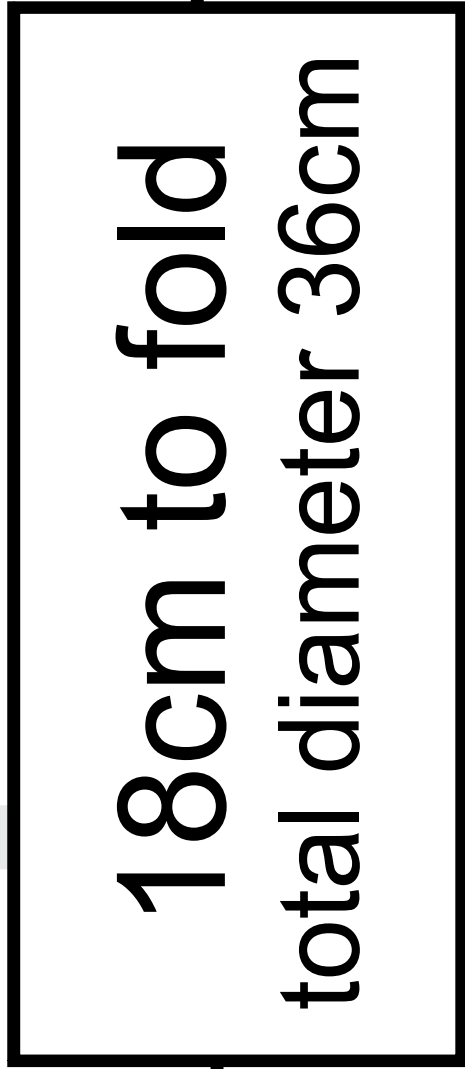
2

old
182

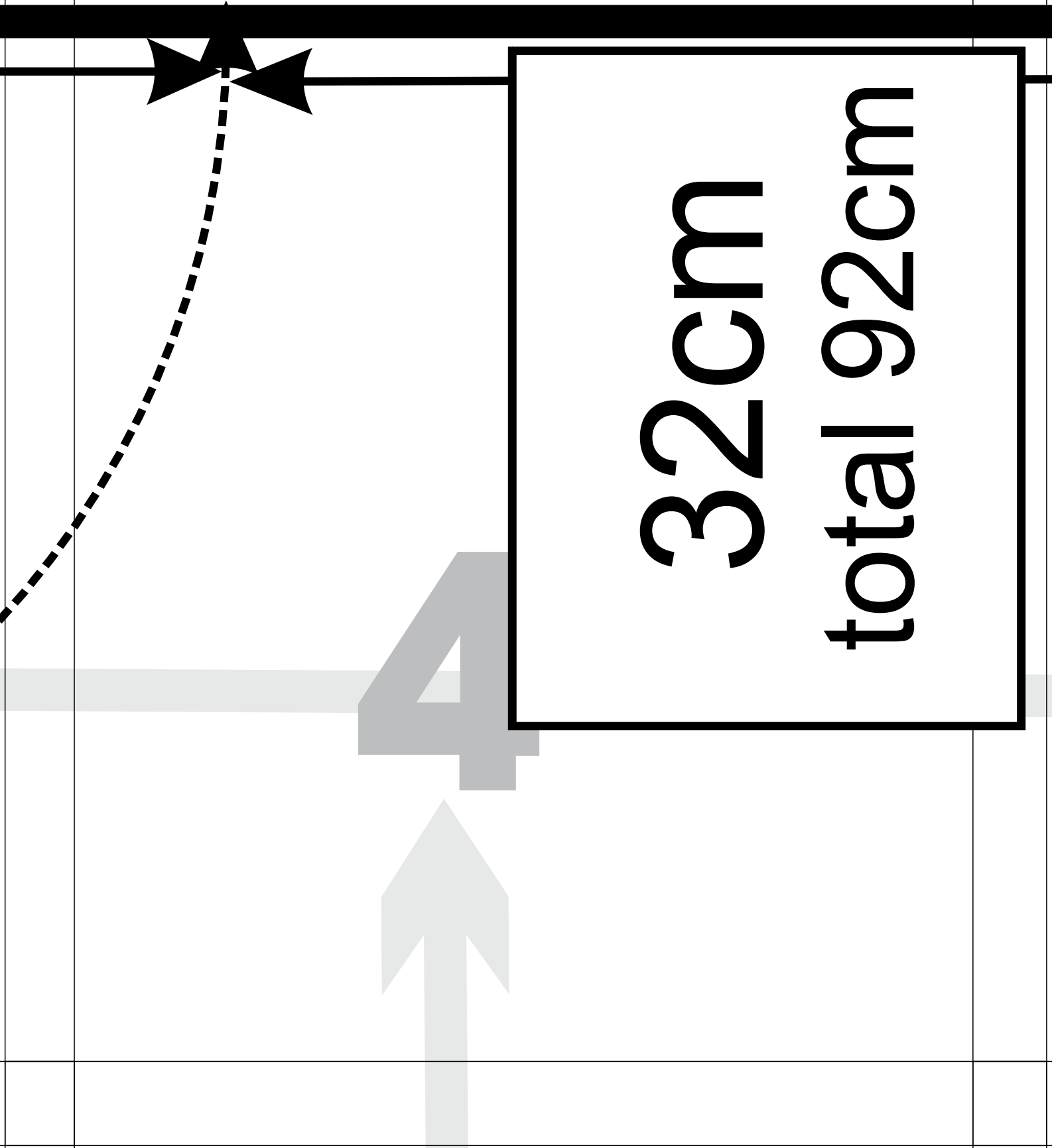


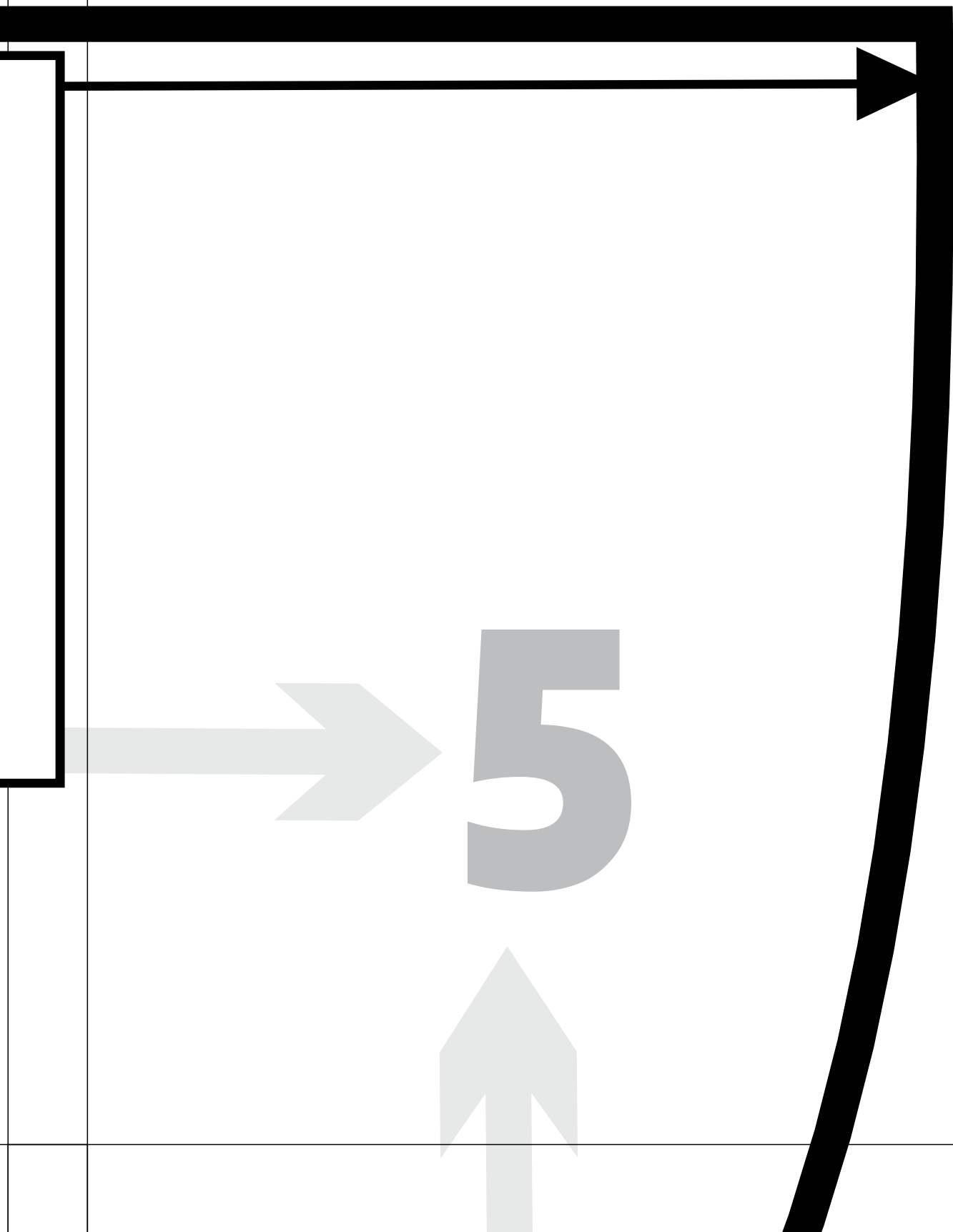
18cm to fold
total diameter 36cm

3



CUT ON FOLD







6



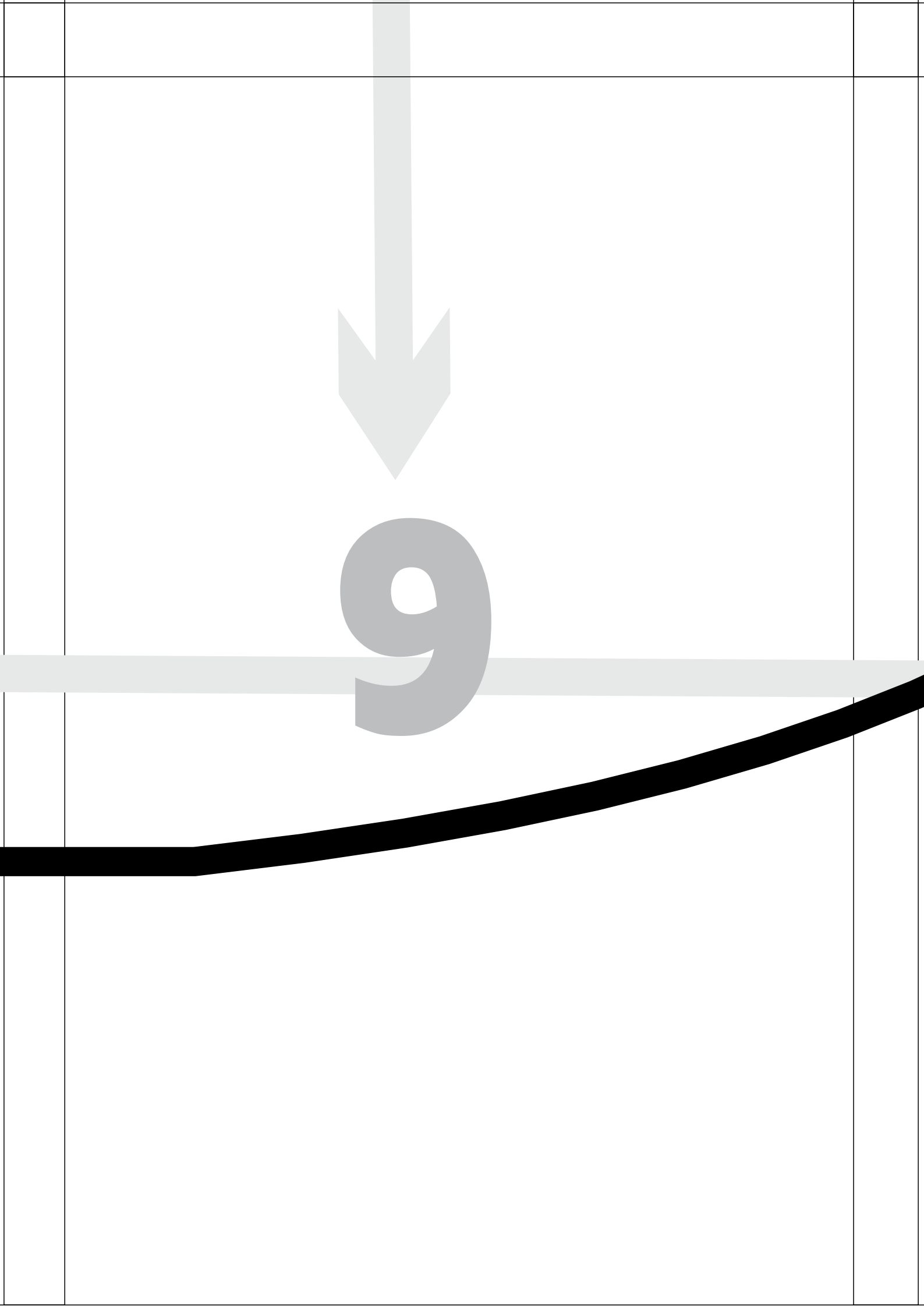
41 cm to fold
total unfolded &

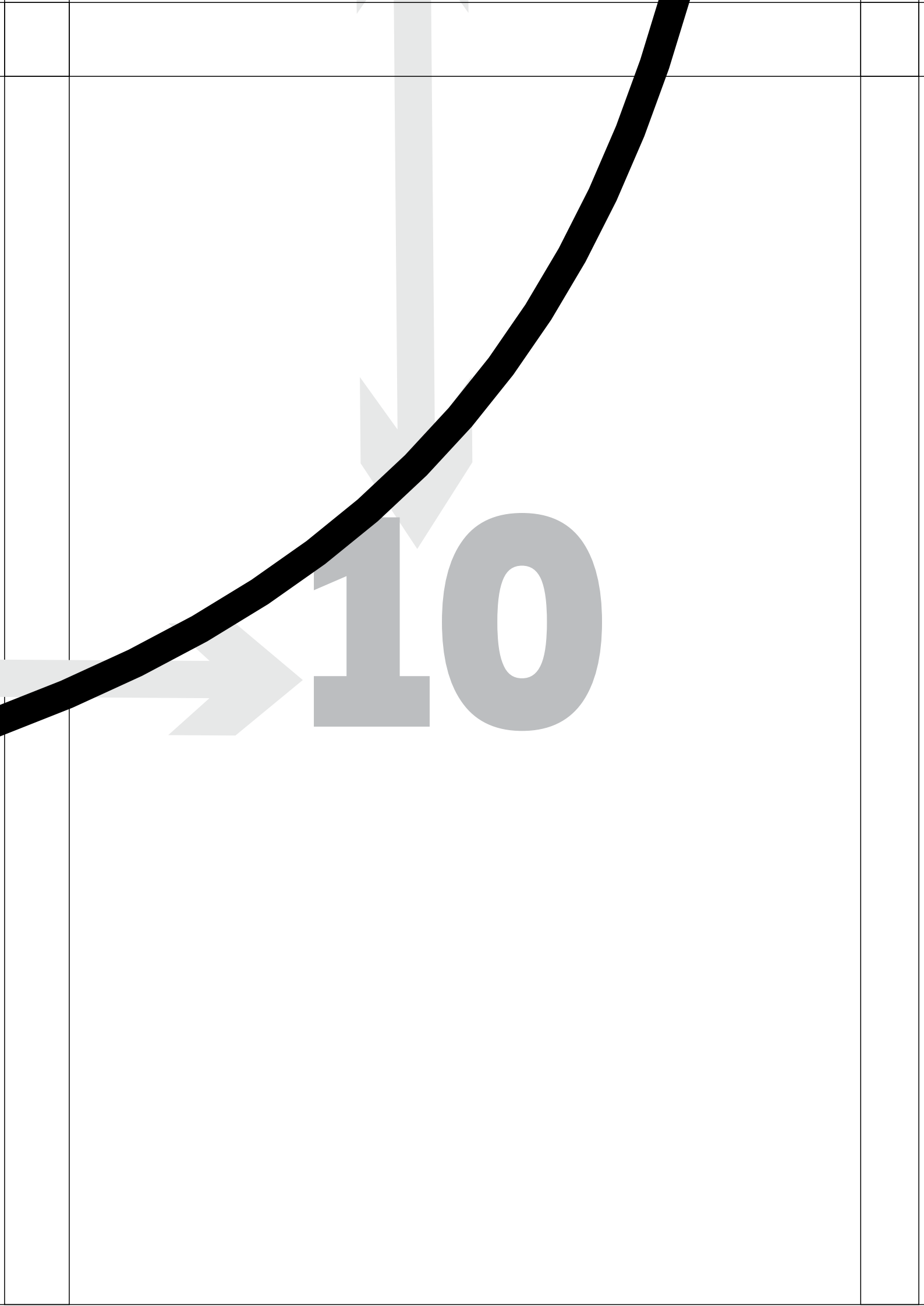


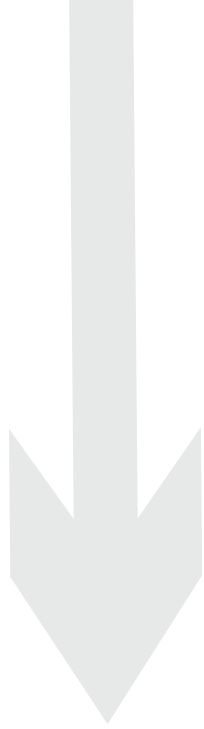
23cm to fold
total unfolded 82

8









11

