



Porthole Kanga Hanging Bag

2cm
Print
Check

Whilst these are called “Kanga” this is a size specification only.
Kanga is for large sized, Roo-XLarge, Wallaby-Medium.
This style of hanging pouch/bag will be used for many different species.

To minimise printing Front and Back pattern are combined.
Please check note on cutting before commencing.
Pattern includes 1cm seam allowance for outer & 1.5 for liner.
Finished, unfolded fabric measures 62cm wide 72cm long.
Sewing Instructions can be found in files-Sew-ARCCG porthole bag instructions

Bag Front

Cut on fold

Cut out circle

Seam allowance included

1 Liner - Fleece or Flannelette

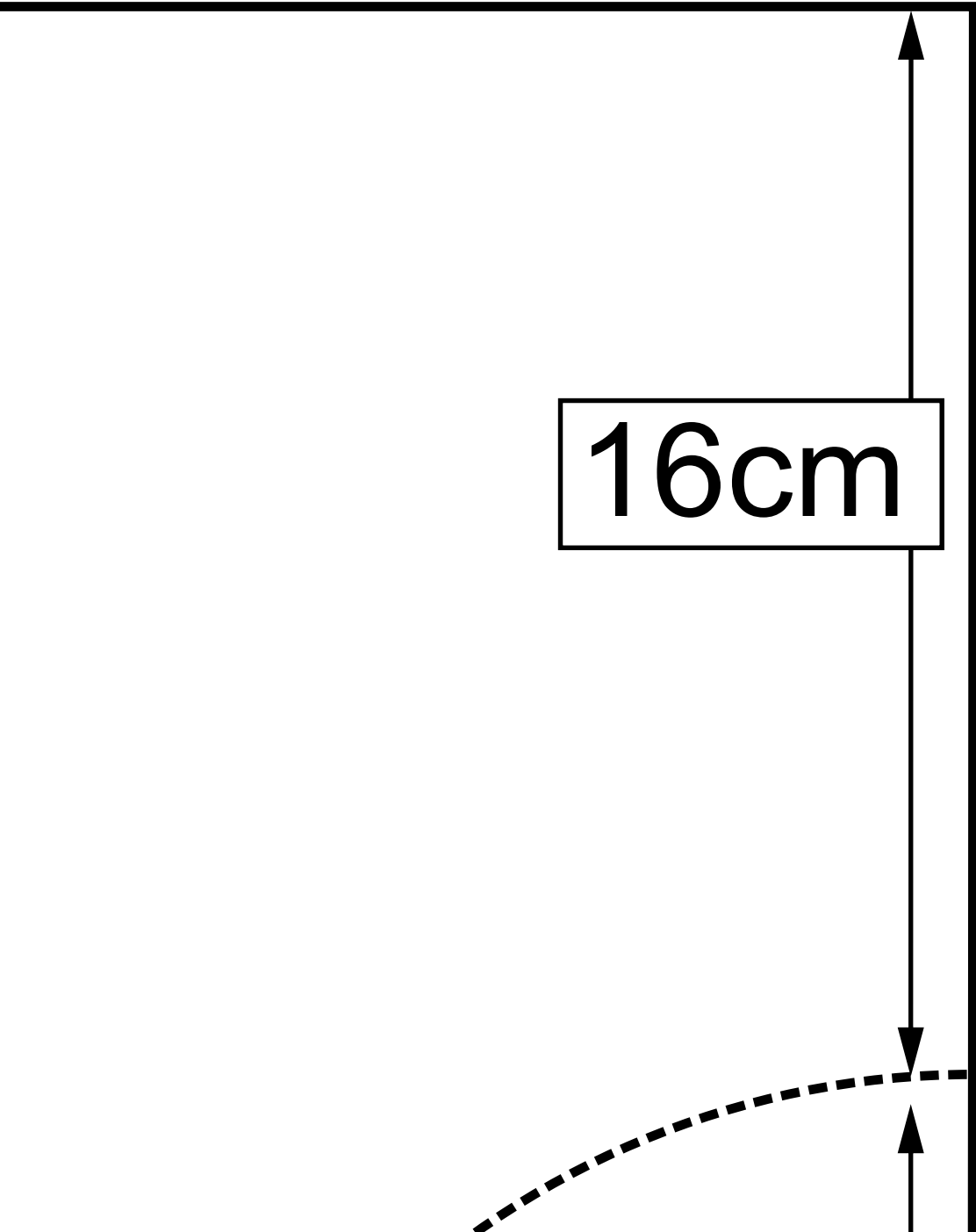
1 Outer - Fleece

Bag Back

Cut on fold

DO NOT cut circle

Seam allowance included



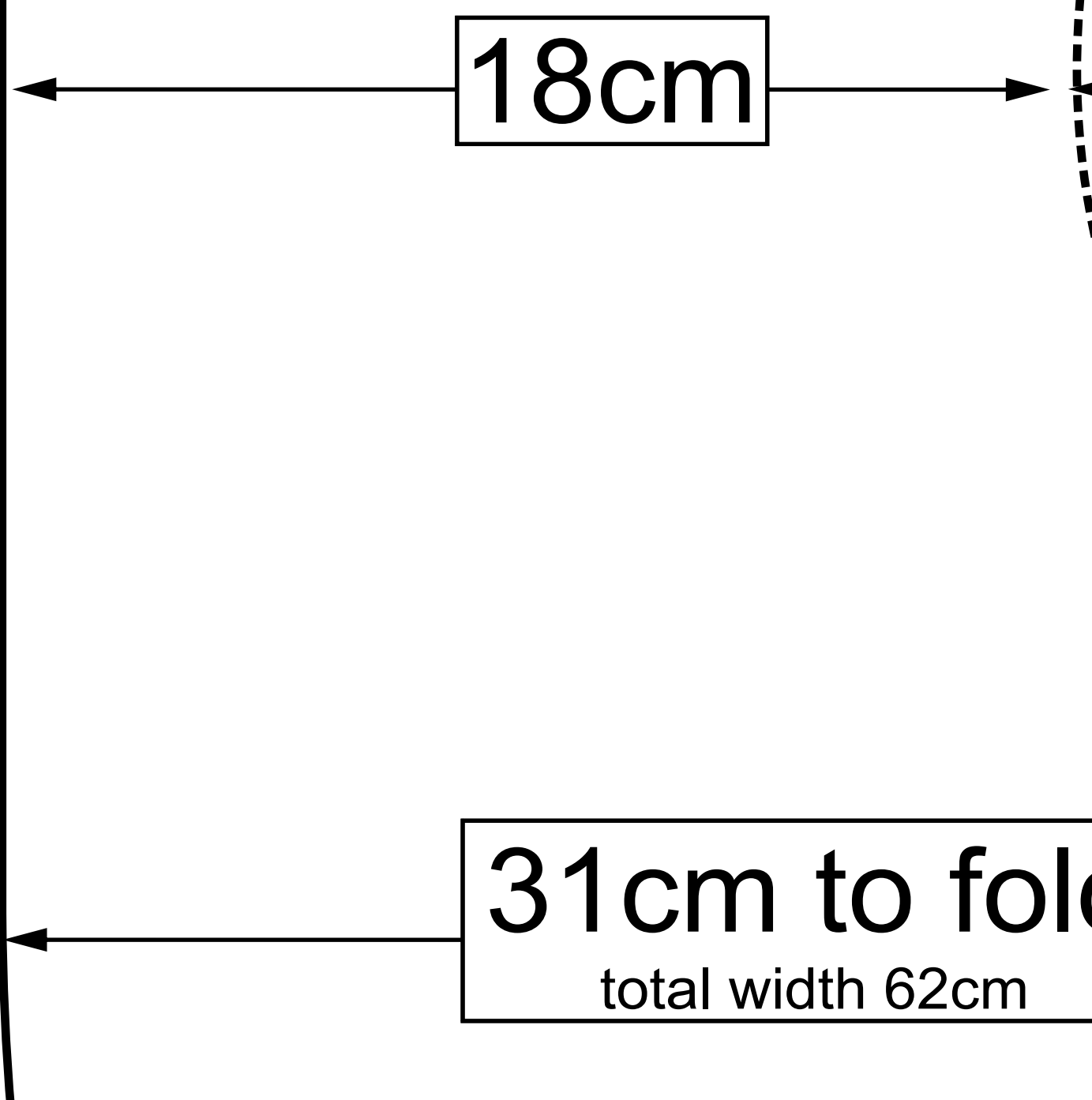
16cm

DO NOT cut circle

Seam allowance included

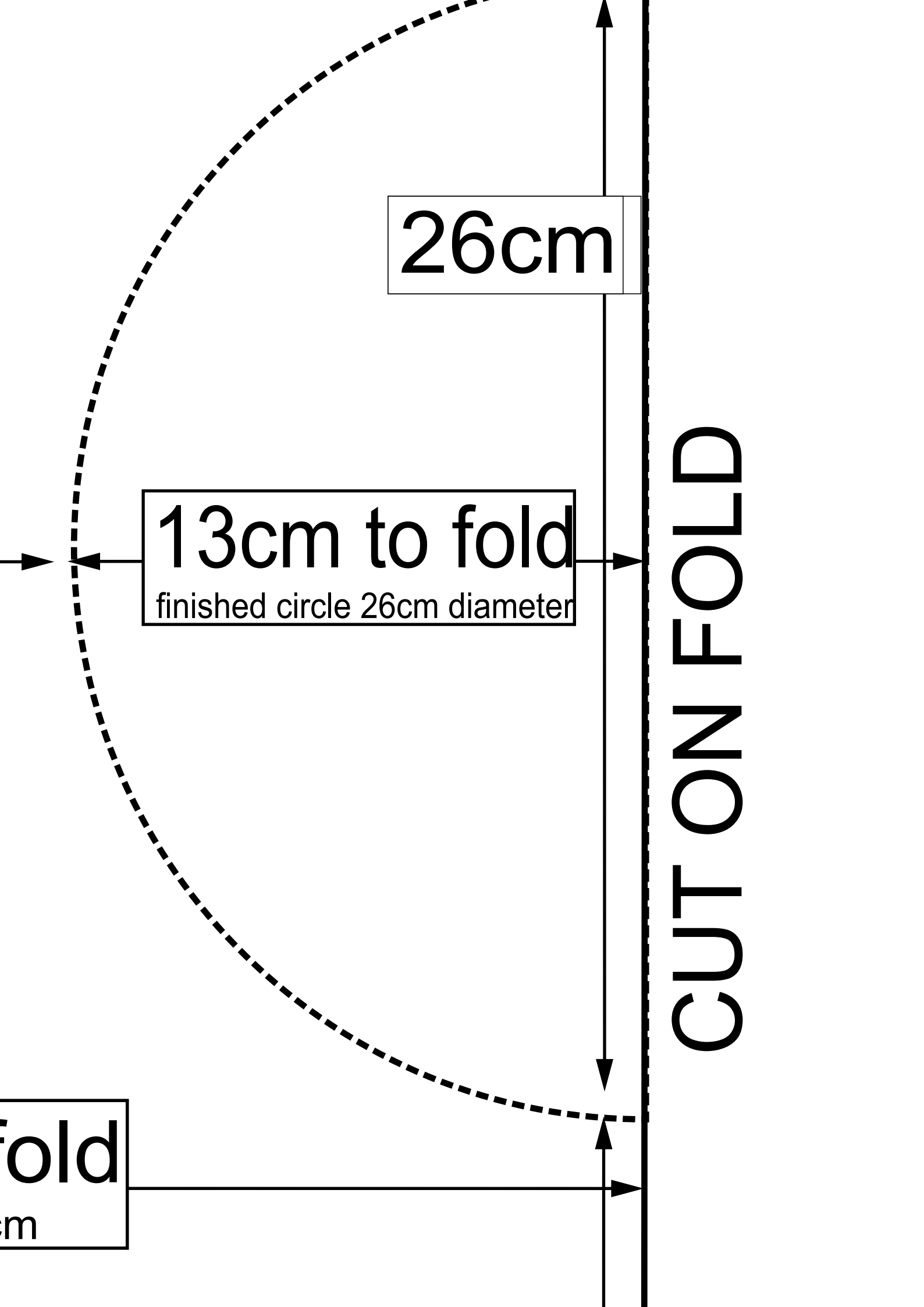
1 Liner - Fleece or Flannelette

1 Outer - Fleece



18cm

31cm to fold
total width 62cm



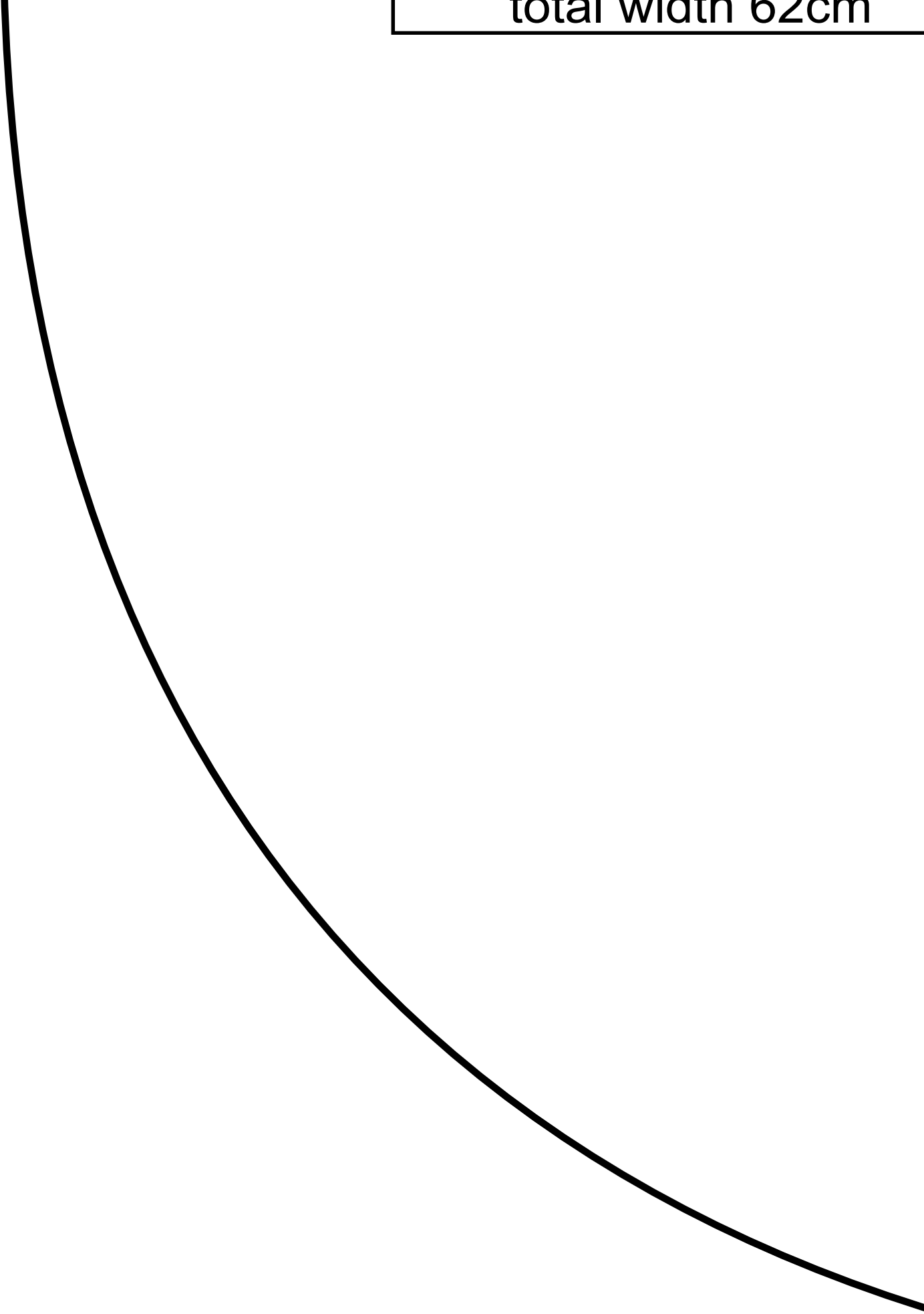
26cm

13cm to fold
finished circle 26cm diameter

CUT ON FOLD

fold
cm

total width 62cm



m

30cm
total length 72cm

